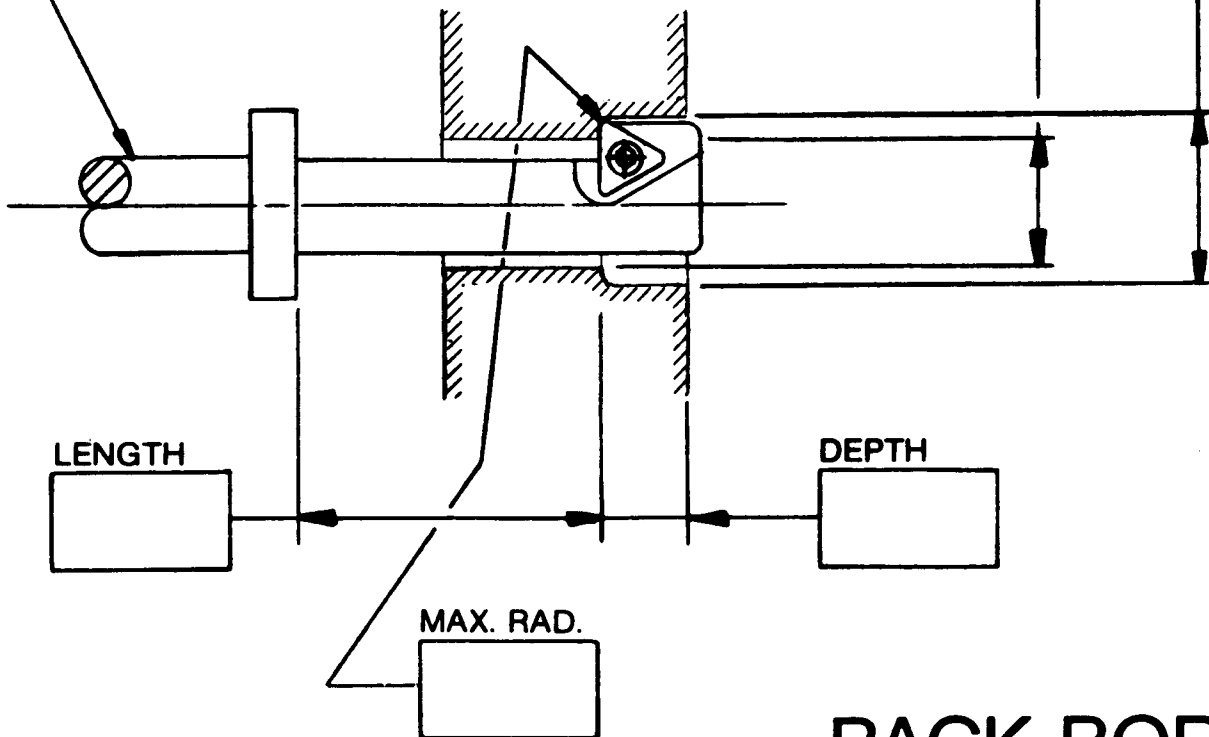


SHANK  
STYLE

THIS DOCUMENT CONTAINS PROPRIETARY  
INFORMATION AND IS LOANED SUBJECT TO  
RETURN UPON DEMAND AND UPON THE  
EXPRESSED CONDITION THAT IT WILL NOT BE  
USED DIRECTLY OR INDIRECTLY IN ANY WAY  
DETRIMENTAL TO THE INTEREST OF THE  
EVEREDE TOOL COMPANY.

HOLE  
DIA. MIN.

C'BORE  
DIA. MAX.



# BACK BORING BAR

ET-1160-14

Name: \_\_\_\_\_  
 Title: \_\_\_\_\_  
 Phone: \_\_\_\_\_  
 Date: \_\_\_\_\_  
 Dist. Name: \_\_\_\_\_  
 No. Req'd.: \_\_\_\_\_  
 Mat'l: \_\_\_\_\_ HDN \_\_\_\_\_

Co. Name: \_\_\_\_\_  
 Co. Add.: \_\_\_\_\_  
 Cust. Tool No.: \_\_\_\_\_  
 Part Print No.: \_\_\_\_\_  
 Other: \_\_\_\_\_



EVEREDE TOOL CO.  
 5296 N. NORTHWEST HWY  
 CHICAGO, IL 60630  
 773-467-4200  
 FAX 773-467-4210